

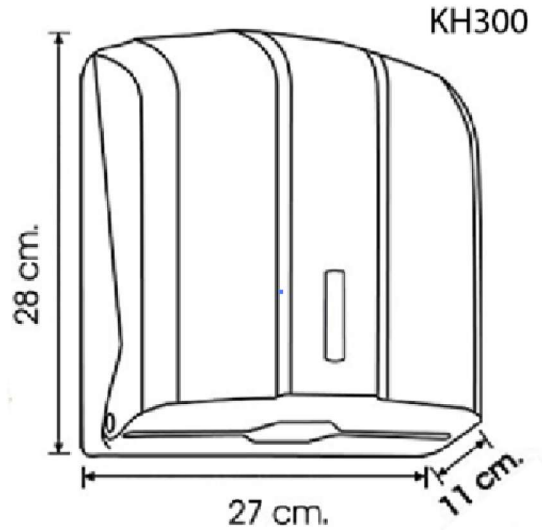
TECHNICAL SPECIFICATIONS

APPEARANCE OF THE PRODUCT

PHOTO



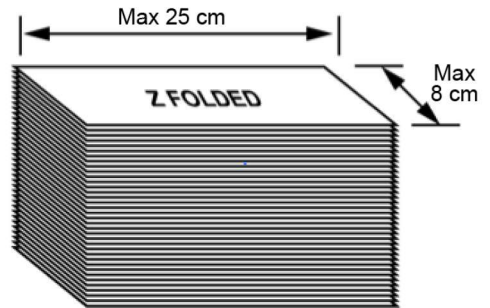
SCHEMA



USING OF PRODUCT



PAPER SPECIFICATIONS



DESCRIPTIONS

Description of Product	Product Code	Z Folded Paper Towel Dispenser
Product Code		KH300 / KH300T / KH300B / KH300M
Colour		White / Transparent / Black / Metallic
Material		ABS Plastic
Dimensions (Height x Width x Depth x in cm)		28 x 27 x 11 cm
Folding Type for Paper Towel		Z Folded
Paper Feeding Capacity		300 sheets

MANUFACTURER INFORMATION

Manufacturer	Oguzhan Plastics and Moulding Co. Ltd.
Origin	Made in Turkey

Last Update: 21.02.2020